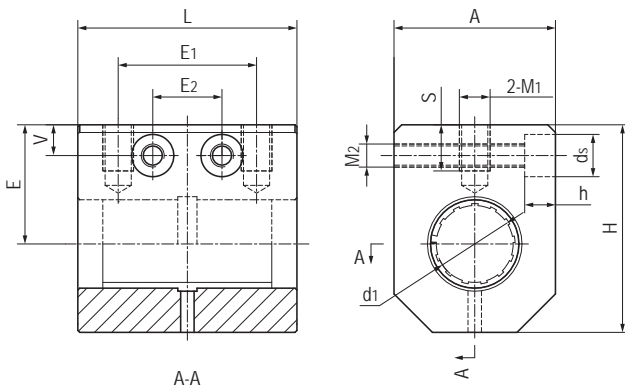


### LIN-11BH 长型直线滑块轴承 Long linear pillow blocks



- 封闭式枕块设计
  - 装配LIN-11滑动膜
  - 阳极氧化铝合金适配器
  - 采用螺栓吊装或侧向安装
  - 免维护、低噪音
  - 适用于污垢或灰尘环境
  - 使用温度-50℃/+90℃
- Closed block design
  - Assembled LIN-11 liners
  - Anodized aluminum adapter
  - Mounted from one side or top with bolts
  - Maintenance-free and low noise
  - Resistance to dirt and dust
  - Operation temperature -50℃/+90℃

### 标准规格 Standard specifications



产品编码 Part No.:

LIN-11BH-12

轴承内径 Inner diameter

长型设计滑块 Long design block

LIN-11标准滑动膜  
Standard liners LIN-11

轴 Shaft: h6-h9

产品编码 Part No.	d <sub>1</sub> [mm]	公差 Tolerance [mm]	L [mm]	E <sub>1</sub> ± 0.2 [mm]	E <sub>2</sub> ± 0.2 [mm]	S [mm]	E ± 0.05 [mm]	A [mm]	H [mm]	V [mm]	M <sub>1</sub> [mm]	M <sub>2</sub> [mm]	d <sub>s</sub> x h [mm]
LIN-11BH-10	10	+0.030/+0.088	37	27	15	6	19	26	32	6	M6	M5	Φ8x5.5
LIN-11BH-12	12	+0.030/+0.088	37	27	15	6	20	28	34	6	M6	M5	Φ8x5.5
LIN-11BH-16	16	+0.030/+0.088	42	32	18	6	27	36	49	7	M6	M6	Φ9x6.5
LIN-11BH-20	20	+0.030/+0.091	48	36	18	8	31	42	54	8	M8	M8	Φ11x8.5
LIN-11BH-25	25	+0.030/+0.091	58	42	22	10	37	52	65	9	M10	M10	Φ14x10.5
LIN-11BH-30	30	+0.040/+0.110	68	44	22	10	40	58	71	9	M10	M10	Φ14x10.5

产品编码 Part No.	轴径 Shaft [mm]	F max. [N] 最大动载荷 Dynamic Load P=5MPa	F max. [N] 最大静载荷 Static Load P=35MPa	重量 Weight [g]
LIN-11BH-10	10	725	5075	65
LIN-11BH-12	12	960	6710	75
LIN-11BH-16	16	1440	10080	160
LIN-11BH-20	20	2250	15750	225
LIN-11BH-25	25	3625	25375	400
LIN-11BH-30	30	5100	35700	570